

CATALOG TEHNIC 2011

TEVI SI FITINGURI DIN PEHD

Compania Smart Solutions Technology srl, societate cu capital integral privat a fost infiintata in 2010 avand ca principal scop crearea unui furnizor specializat in comercializarea produselor necesare realizarii retelelor de alimentare cu apa, gaze naturale, canalizare, a statiilor de epurare precum si a instalatiilor din industria energetica, extractiva de petrol, chimica sau a diverselor sisteme de transport si distributie a fluidelor.

Portofoliul companiei cuprinde:

-armaturi industriale: vane, robineti, filtre, hidranti, flanse, racorduri trase din otel pentru sudura;

-fitinguri din PEHD pentru sudura si electrofuziune, fittinguri pentru imbinarea tevilor din PEHD prin compresiune, tevi din PEHD pentru transport apa si gaze;

-tevi si fittinguri din PVC , PEHD si PP pentru canalizare si drenaj

-sisteme de epurare complete (fose septice, statii de epurare).

Pentru ca o oferta completa intr-un domeniu atat de vast constituie o provocare, intreaga echipa formata din profesionisti va asigura cele mai potrivite solutii din punct de vedere tehnic si economic. Datorita experientei si profesionalismului echipei, compania a raspuns intotdeauna chiar si celor mai dificile solicitari. Dorim sa mentinem relatii durabile cu clientii nostri, suntem receptivi la necesitatile lor si venim in intampinarea tuturor solicitarilor cu promptitudine.

In acest sens echipa de vanzari este in permanenta la dispozitia dumneavoastra, ne concentram eforturile in vederea asigurarii continuitatii stocurilor – garantie a livrarilor prompte si conforme cu nevoile clientului, asiguram consultanta si asistenta tehnica necesara printr-un personal cu un inalt grad de pregatire.

Va prezentam catalogul tehnic al SC Smart Solutions Technology SRL. Produsele noastre sunt conform standardelor romanesti si noilor standarde europene. Speram ca acest catalog sa fie un instrument care va usura munca dumneavoastra. Compania noastra – distribuitor al celor mai mari producatori de armaturi industriale, flanse si fittinguri din otel pentru sudura, tevi si fittinguri din PEHD si PVC va ajuta in precizarea accesibilitatii si a alegerii celor mai bune variante de materiale.



CRAIOVA 2011

Smart Solutions Technology srl

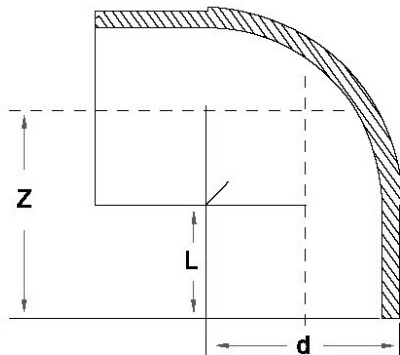
CATALOG TEHNIC 2011

FITINGURI INJECTATE PEHD

COT (ELBOW) 90°

SDR 11 PE100 -WATER PN16

SDR 11 PE100 -GAS PN10



d	kg	L(mm)	Z(mm)
20	0,03	50,0	70,0
25	0,04	50,0	73,0
32	0,06	51,0	75,0
40	0,12	51,0	80,0
50	0,35	63,0	131,0
63	0,36	65,0	115,0
75	0,42	70,0	119,0
90	0,85	70,0	125,0
110	1,20	94,0	175,0
125	1,70	94,0	185,0
140	3,70	150,0	272,0
160	2,80	110,0	225,0
180	3,50	134,0	220,0
200	5,20	148,0	250,0
225	7,20	130,0	285,0
250	10,75	152,0	285,0
280	14,50	152,0	295,0
315	20,10	152,0	307,0

CATALOG TEHNIC 2011

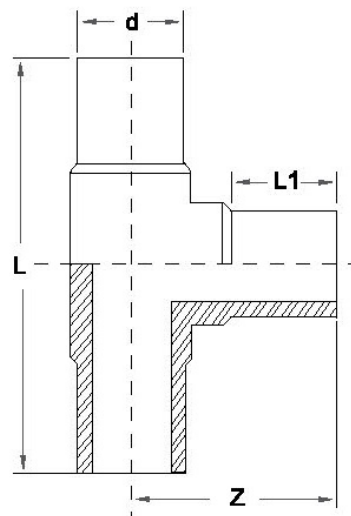
TEU EGAL (EQUAL TEE)

SDR11 PE100 -WATER PN16

SDR11 PE100 - GAS PN10



d	kg	L(mm)	L1(mm)	Z(mm)
20	0,04	109,0	34,2	55,0
25	0,06	121,0	40,1	61,5
32	0,11	131,0	41,8	68,0
40	0,19	178,0	53,0	92,0
50	0,25	186,0	56,0	97,0
63	0,50	211,3	55,6	104,7
75	0,64	240,0	64,0	124,8
90	0,93	257,2	79,0	138,0
110	1,75	344,0	89,0	167,0
125	2,35	362,8	96,0	178,0
140	2,90	402,4	95,3	185,8
160	4,55	458,5	104,3	215,4
180	5,30	457,0	109,0	225,0
200	8,72	497,0	120,0	247,0
225	13,90	605,0	179,0	308,0
250	16,90	630,0	155,0	308,0
280	21,80	699,0	160,0	350,0
315	27,50	750,0	172,0	379,0

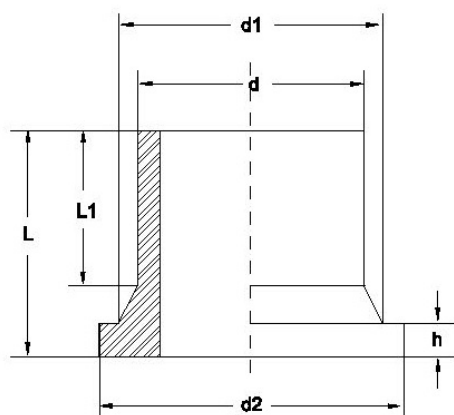


CATALOG TEHNIC 2011

ADAPTOR FLANSA (FLANGE ADAPTOR)

SDR11 PE100 -WATER PN16

SDR11 PE100 -GAS PN10



d	kg	L(mm)	L1(mm)	d1(mm)	d2(mm)	h(mm)
20	0,03	78,0	42,4	27,2	44,0	6,9
25	0,04	84,9	65,0	33,3	57,6	9,0
32	0,05	76,0	37,2	40,2	66,0	9,0
40	0,09	80,0	50,0	51,0	78,0	11,0
50	0,14	85,0	48,0	60,5	88,0	14,5
63	0,18	102,0	65,0	73,0	102,0	14,0
75	0,31	125,0	85,0	88,0	122,0	16,0
90	0,48	137,0	95,0	101,0	138,0	17,0
110	0,67	147,0	110,0	123,0	157,0	18,0
125	1,00	175,0	112,0	127,0	158,0	25,0
140	1,41	200,0	115,0	150,0	188,0	25,0
160	1,92	200,0	120,0	167,0	211,0	25,0
180	1,85	178,0	128,0	167,0	209,2	30,3
200	3,20	209,0	135,0	221,0	267,0	32,0
225	3,50	210,0	180,0	225,0	268,0	32,0
250	5,80	280,0	208,0	285,5	220,0	32,0
280	6,45	263,0	185,0	286,0	221,0	35,5
315	6,83	202,0	124,0	331,0	369,2	36,0

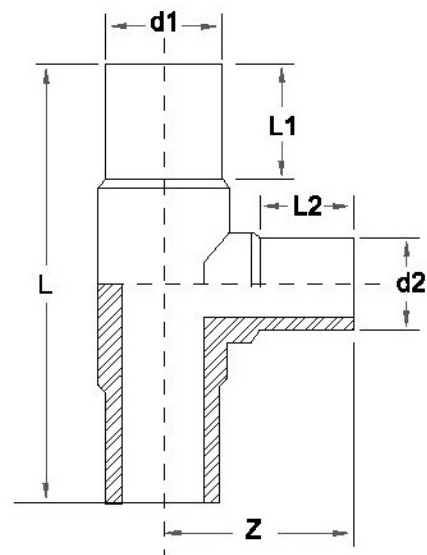
CATALOG TEHNIC 2011

REDUCED TEE

SDR11 PE100 -WATER PN16

SDR11 PE100 -GAS PN10

d1/d2	kg	L(mm)	L1(mm)	L2(mm)	Z(mm)
63/50	0,47	212,0	55,6	50,5	103,5
75/32	0,57	240,7	61,5	55,0	124,3
75/50	0,60	240,7	61,5	60,0	124,5
75/63	0,65	240,7	61,5	64,5	125,0
90/50	0,82	255,9	69,0	52,0	123,0
90/63	0,85	255,9	69,0	59,5	130,2
90/75	0,90	255,9	69,0	66,6	134,7
110/50	1,60	341,1	92,0	57,0	139,0
110/63	1,65	341,1	92,0	62,7	143,9
110/75	1,70	341,1	92,0	69,5	149,7
110/90	1,75	341,1	92,0	82,2	157,5
125/63	1,95	362,8	89,0	61,5	148,8
125/75	2,05	362,8	89,0	68,2	156,5
125/90	2,15	362,8	89,0	78,4	164,0
125/110	2,25	362,8	89,0	95,0	179,1
140/63	2,60	402,4	93,0	64,2	163,0
140/75	2,70	402,4	93,0	70,2	167,1
140/90	2,75	402,4	93,0	80,3	176,2
140/110	2,80	402,4	93,0	89,5	182,5
140/125	2,85	402,4	93,0	94,2	186,6
160/63	3,55	455,5	101,5	65,4	175,0
160/75	3,60	455,5	101,5	71,2	178,6
160/90	3,65	455,5	101,5	71,2	179,5
160/110	3,85	455,5	101,5	79,3	184,6
160/125	3,90	455,5	101,5	81,2	184,6
160/140	4,00	455,5	101,5	87,6	188,0
180/90	4,80	457,0	109,0	78,0	194,0
180/110	4,90	457,0	109,0	89,0	205,0
180/125	5,00	457,0	109,0	89,0	205,0
180/140	5,10	457,0	109,0	89,0	205,0
180/160	5,30	457,0	109,0	95,0	211,0
200/90	5,45	390,0	125,0	98,0	232,0
200/110	6,10	385,0	155,0	120,0	270,0
200/125	6,60	415,0	130,0	140,0	270,0
200/140	7,20	430,0	125,0	130,0	270,0
200/160	8,30	455,0	125,0	125,0	270,0
200/180	9,00	465,0	130,0	125,0	300,0
225/90	7,00	540,0	127,0	95,0	250,0
225/110	8,10	510,0	127,0	95,0	250,0
225/125	8,40	505,0	127,0	100,0	250,0
225/140	9,00	500,0	127,0	105,0	250,0
225/160	9,70	535,0	127,0	110,0	255,0
225/180	10,70	530,0	126,0	110,0	270,0

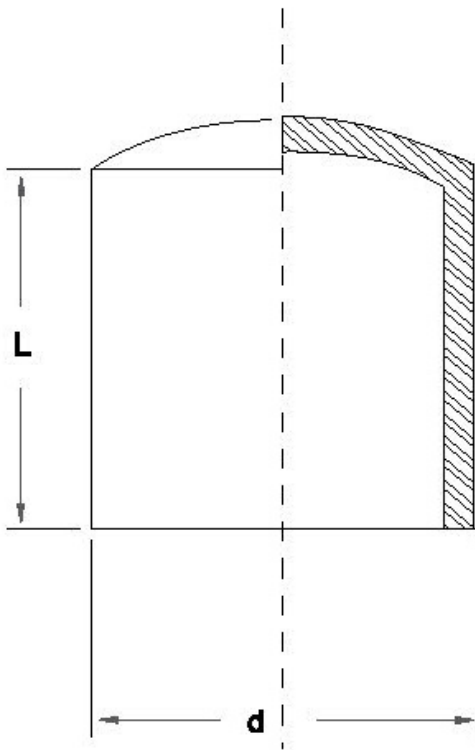


CATALOG TEHNIC 2011

DOP (END CAP)

SDR11 PE100 -WATER PN16

SDR11 PE100 -GAS PN10



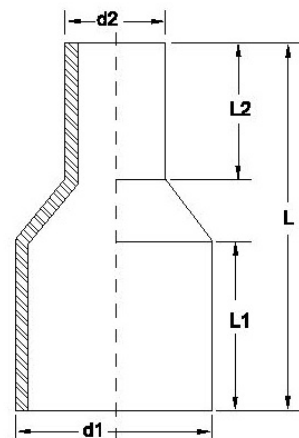
d	kg	L(mm)
20	0,01	29,0
25	0,01	38,0
32	0,02	42,0
40	0,03	48,0
50	0,06	51,0
63	0,08	53,5
75	0,12	57,0
90	0,22	73,5
110	0,32	85,0
125	0,46	82,0
140	0,62	82,0
160	1,04	97,0
180	1,25	109,0
200	1,73	113,0
225	2,47	116,0
250	2,95	125,0
280	4,60	135,0
315	5,55	148,0

CATALOG TEHNIC 2011

REDUCTII (REDUCER)

SDR11 PE100 -WATER PN16

SDR11 PE100 -GAS PN10



d1/d2	kg	L(mm)	L1(mm)	L2(mm)	d1/d2	kg	L (mm)	L1(mm)	L2(mm)
63/32	0,10	121,9	55,9	38,9	200/140	2,00	280,0	135,0	105,0
63/40	0,11	130,9	55,9	43,0	200/160	2,10	280,0	135,0	105,0
63/50	0,12	134,0	55,9	51,0	200/180	2,30	283,0	139,0	106,0
75/40	0,25	130,6	72,0	46,0	225/90	1,75	295,0	130,0	100,0
75/50	0,27	136,5	72,0	54,0	225/110	2,00	300,0	135,0	105,0
75/63	0,29	140,5	72,0	60,0	225/125	2,15	310,0	140,0	107,0
90/63	0,29	165,0	85,0	65,0	225/140	2,25	300,0	140,0	100,0
90/75	0,32	173,0	82,0	82,0	225/160	2,30	310,0	140,0	110,0
110/63	0,46	203,0	93,0	82,0	225/180	2,35	310,0	143,0	115,0
110/75	0,48	197,5	93,0	82,0	225/200	3,45	315,0	143,0	150,0
110/90	0,50	200,0	95,0	80,0	250/160	4,50	385,0	209,0	115,0
125/63	0,70	208,0	104,0	67,5	250/180	5,00	300,0	230,0	105,0
125/75	0,70	212,0	103,5	81,0	250/200	5,40	314,0	180,0	117,0
125/90	0,75	203,0	104,0	77,0	250/225	5,55	314,0	170,0	120,0
125/110	0,80	203,0	116,0	88,0	280/160	5,20	360,0	190,0	170,0
140/90	0,85	213,5	105,0	79,5	280/180	5,70	360,0	180,0	180,0
140/110	0,87	212,0	106,0	78,5	280/225	6,00	335,0	170,0	185,0
140/125	1,05	213,0	102,5	92,5	280/250	6,30	340,0	180,0	200,0
160/90	1,20	230,0	81,0	116,0	315/160	4,90	360,0	180,0	130,0
160/110	1,25	245,0	95,0	115,0	315/225	5,20	360,0	175,0	140,0
160/125	1,35	247,0	98,0	116,0	315/250	5,55	380,0	190,0	160,0
160/140	1,50	247,0	98,0	116,0	315/280	5,70	380,0	185,0	165,0
180/110	1,65	255,0	115,0	88,0	355/280	10,50	375,0	180,0	165,0
180/125	1,75	257,0	115,0	90,0	355/315	10,80	385,0	180,0	170,0
180/140	1,80	255,0	115,0	90,0					
180/160	2,15	265,0	115,0	110,0					
200/90	1,65	275,0	130,0	91,0					
200/110	1,75	255,0	116,0	95,0					
200/125	1,85	257,0	118,0	96,0					



CATALOG TEHNIC 2011

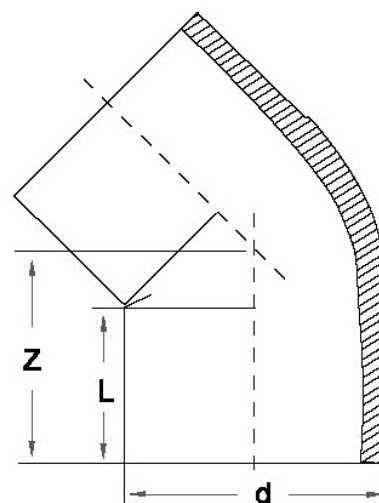
COT (ELBOW) 45°

SDR11 PE100 -WATER PN16

SDR11 PE100 -GAS PN10



d	kg	L(mm)	Z(mm)
20	0,03	40,0	50,0
25	0,04	46,0	67,0
32	0,06	52,0	76,0
40	0,09	45,0	82,0
50	0,15	60,0	87,0
63	0,28	65,0	99,0
75	0,42	70,0	105,0
90	0,70	83,0	126,0
110	1,05	98,0	138,0
125	1,52	100,0	140,0
140	1,67	101,0	145,0
160	3,00	115,0	160,0
180	4,00	133,0	196,0
200	5,45	138,0	202,0
225	7,65	138,0	210,0
250	9,50	137,0	212,0
280	11,80	137,0	219,0
315	21,50	137,0	218,0



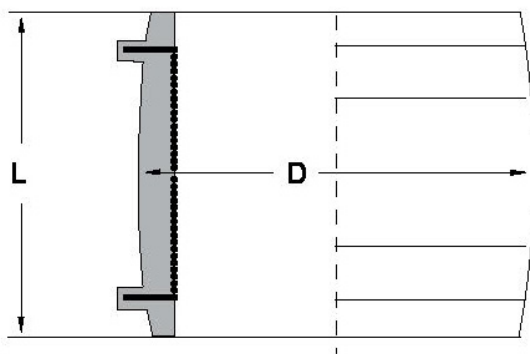
CATALOG TEHNIC 2011

FITINGURI ELECTROFUZIONE

MUFA EF (COUPLER electrofusion)

SDR11 PE100 -WATER PN16

SDR11 PE100 -GAS PN10



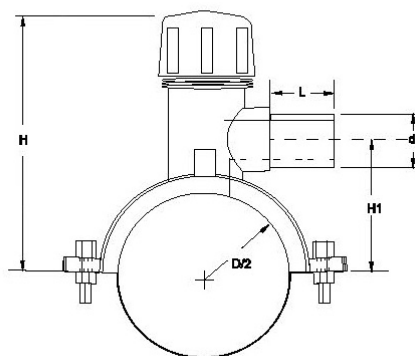
d	kg	D (mm)	L (mm)
20	0,05	33,1	62,0
25	0,06	41,3	73,0
32	0,07	47,0	78,0
40	0,11	55,5	88,0
50	0,16	67,0	100,0
63	0,21	82,0	108,0
75	0,33	98,0	120,0
90	0,59	120,0	139,0
110	0,89	142,0	165,0
125	1,00	156,0	167,0
140	1,44	181,0	171,0
160	2,20	206,0	206,0
180	3,07	232,0	214,0
200	3,35	248,0	228,0
225	4,55	282,0	245,0
250	5,45	311,0	214,0
280	7,75	350,0	223,0
315	10,00	391,0	233,0

CATALOG TEHNIC 2011

TEU DE BRANSAMENT EF (TAPPING SADLE)

SDR11 PE100 - WATER PN16

SDR11 PE100 -GAS PN10



D/d	kg	H(mm)	H1(mm)	L(mm)	D/d	kg	H(mm)	H1(mm)	L(mm)
63/20	0,35	129,0	64,0	59,0	160/20	1,00	186,0	105,0	40,0
63/25	0,36	129,0	64,0	59,0	160/25	1,02	186,0	105,0	40,0
63/32	0,37	129,0	64,0	59,0	160/32	1,08	186,0	105,0	66,0
63/40	0,92	215,0	105,0	64,0	160/40	1,18	186,0	105,0	66,0
63/50	0,93	215,0	105,0	64,0	160/50	1,25	225,0	110,0	80,0
63/63	0,95	216,0	108,0	73,0	160/63	1,26	225,0	110,0	80,0
75/20	0,46	130,0	63,0	59,0	180/20	0,98	222,0	105,0	40,0
75/25	0,46	130,0	63,0	59,0	180/25	1,00	222,0	105,0	40,0
75/32	0,46	130,0	63,0	59,0	180/32	1,03	222,0	105,0	75,0
75/40	0,46	130,0	63,0	59,0	180/40	1,05	222,0	105,0	75,0
75/50	0,93	130,0	63,0	59,0	180/50	1,06	222,0	105,0	75,0
75/63	0,94	130,0	63,0	59,0	180/63	1,07	222,0	105,0	75,0
90/20	1,13	226,0	210,0	46,0	200/20	1,08	208,0	91,0	41,0
90/25	1,19	226,0	210,0	46,0	200/25	1,09	208,0	91,0	41,0
90/32	1,21	226,0	210,0	46,0	200/32	1,09	208,0	91,0	45,0
90/40	1,25	226,0	210,0	52,0	200/40	1,10	208,0	91,0	45,0
90/50	1,27	226,0	210,0	62,5	200/50	1,12	208,0	91,0	65,0
90/63	1,40	226,0	210,0	73,0	200/63	1,19	208,0	91,0	65,0
110/20	0,85	188,0	87,0	47,0	225/20	1,10	204,0	92,0	42,0
110/25	0,87	188,0	87,0	52,0	225/25	1,10	204,0	92,0	42,0
110/32	0,89	188,0	87,0	57,0	225/32	1,11	204,0	92,0	44,0
110/40	0,91	188,0	87,0	62,0	225/40	1,11	204,0	92,0	44,0
110/50	1,17	240,0	118,0	76,0	225/50	1,12	204,0	92,0	65,0
110/63	1,18	240,0	118,0	76,0	225/63	1,20	204,0	92,0	66,0
125/20	0,88	169,0	84,5	40,0	250/20	1,10	204,0	92,0	42,0
125/25	0,90	169,0	84,5	40,0	250/25	1,10	204,0	92,0	42,0
125/32	0,91	169,0	84,5	75,0	250/32	1,11	204,0	92,0	44,0
125/40	0,93	169,0	84,5	75,0	250/40	1,11	204,0	92,0	44,0
125/50	1,25	232,0	116,0	75,0	250/50	1,12	204,0	92,0	65,0
125/63	1,29	232,0	116,0	75,0	250/63	1,20	204,0	92,0	66,0
140/20	0,89	166,0	86,0	39,0	280/20	1,10	204,0	92,0	42,0
140/25	0,91	166,0	86,0	39,0	280/25	1,10	204,0	92,0	42,0
140/32	0,92	166,0	86,0	72,0	280/32	1,11	204,0	92,0	44,0
140/40	0,99	166,0	86,0	72,0	280/40	1,11	204,0	92,0	44,0
140/50	1,10	232,0	116,0	75,0	280/50	1,12	204,0	92,0	65,0
140/63	1,30	232,0	116,0	75,0	280/63	1,20	204,0	92,0	66,0
					315/20	1,10	204,0	92,0	42,0
					315/25	1,10	204,0	92,0	42,0
					315/32	1,11	204,0	92,0	44,0
					315/40	1,11	204,0	92,0	44,0
					315/50	1,12	204,0	92,0	65,0
					315/63	1,20	204,0	92,0	66,0



CATALOG TEHNIC 2011

TEVI DIN POLIETILENA DE INALTA DENSITATE

Tub HDPE pentru distributie gaze naturale PE80/PE100 SR ISO 4437 SDR11					Tub HDPE pentru transport apa potabila PE100 $\sigma=8\text{Mpa}$ SR EN 12201-2					
PN10/16 SDR11					PN6 SDR26		PN10 SDR17		PN16 SDR11	
\varnothing ext mm	Gros mm	kg/ml	Gros mm	kg/ml	Gros mm	kg/ml	Gros mm	kg/ml	Gros mm	kg/ml
20									2.0	0.118
25							2.0	0.151	2.3	0.170
32	3	0.275	3.0	0.278			2.3	0.222	3.0	0.278
40	3.7	0.425	3.7	0.429	2.0	0.251	2.4	0.293	3.7	0.429
50	4.6	0.66	4.6	0.666	2.3	0.317	3.0	0.452	4.6	0.666
63	5.8	1,043	5.8	1,054	2.5	0.491	3.8	0.720	5.8	1,054
75	6.8	1,457	6.8	1,472	2.9	0.672	4.5	1,016	6.8	1,472
90	8.2	2,111	8.2	2,133	3.5	0.975	5.4	1,461	8.2	2,133
110	10	3,131	10.0	3,164	4.2	1,432	6.6	2,174	10.0	3,164
125	11.4	4,062	11.4	4,105	4.8	1,844	7.4	2,774	11.4	4,105
140	12.7	5,063	12.7	5,116	5.4	2,328	8.3	3,482	12.7	5,116
160	14.6	6,646	14.6	6,716	6.2	3,053	9.5	4,545	14.6	6,716
180	16.4	8,401	16.4	7,489	6.9	3,802	10.7	5,749	16.4	8,489
200	18.2	Oct-36	18.2	10,469	7.7	4,716	11.9	7,095	18.2	10,469
225	20.5	13,112	20.5	13,250	8.6	5,952	13.4	8,998	20.5	13,250
250	22.7	16,128	22.7	16,297	9.6	7,342	14.8	11,028	22.7	16,297
280	25.4	20,218	25.4	20,431	10.7	9,157	16.6	13,854	25.4	20,431
315	28.6	25,594	28.6	25,863	12.1	11,666	18.7	17,545	28.6	25,863
355	32.3	32,573	32.3	32,916	13.6	17,743	21.1	22,329	32.3	32,829
400	36.4	41,645	36.4	41,780	15.3	18,696	23.7	28,222	36.3	41,682
450	40.9	52,232	40.9	52,782	17.2	23,639	26.7	35,755	40.9	52,782
500	45.5	64,571	45.5	62,251	19.1	29,161	29.7	44,179	45.4	65,129
560	50.9	80,874	50.9	81,725	21.4	36,552	33.2	55,344	50.8	81,588
630	57.3	102,451	57.3	103,529	24.1	46,315	37.4	70,096	57.2	103,375

CATALOG TEHNIC 2011

Tub HDPE pentru transport apa potabila PE80 SR ISO 4427

Ø ext mm	PE80 $\sigma=5$ Mpa					PE80 $\sigma=6.3$ Mpa				
	PN10 SDR11		PN6 SDR17.6		PN16 SDR9		PN10 SDR13.6		PN6 SDR21	
	Gros mm	kg/ml	Gros mm	kg/ml	Gros mm	kg/ml	Gros mm	kg/ml	Gros mm	kg/ml
20	2.0	0.117			2.3	0.131				
25	2.3	0.168	2.0	0.168	3.0	0.197	2.3	0.168		
32	3.0	0.275	2.0	0.196	3.6	0.323	2.3	0.220		
40	3.7	0.425	2.3	0.280	4.5	0.504	3.0	0.351	2.3	0.250
50	4.6	0.660	2.9	0.434	5.6	0.782	3.7	0.543	2.4	0.368
63	5.8	1,043	3.6	0.680	7.1	1,249	4.7	0.866	3.0	0.571
75	6.8	1,457	4.3	0.967	8.4	1,756	5.6	1,226	3.6	0.818
90	8.2	2,111	5.1	1,387	10.1	2,532	6.7	1,757	4.3	1.172
110	10.0	3,131	6.3	2,066	12.3	3,763	8.1	2,603	5.3	1.760
125	11.4	4,062	7.1	2,647	14.0	4,853	9.2	3,354	6.0	2.249
140	12.7	5,063	8.0	3,318	15.7	6,089	10.3	4,200	6.7	2.816
160	14.6	6,646	9.1	4,330	17.9	7,941	11.8	5,483	7.7	3.694
180	16.4	8,401	10.2	5,454	20.1	10,048	13.3	6,959	8.6	4.641
200	18.2	10,360	11.4	6,759	22.4	12,425	14.7	8,535	9.6	5.751
225	20.5	13,112	12.8	8,522	25.2	15,725	16.6	10,838	10.8	7.267
250	22.7	16,128	14.2	10,520	27.9	19,328	18.4	13,352	11.9	8.894
280	25.4	20,218	15.9	13,160	31.3	24,295	20.6	16,729	13.4	11.227
315	28.6	25,594	17.9	16,661	35.2	30,375	23.2	21,202	15.0	14.109
355	32.2	32,487	20.1	21,120	39.7	39,032	26.1	26,879	16.9	17.914
400	36.3	41,248	22.7	26,327	44.7	49,516	29.4	34,089	19.1	22.843
450	40.9	52,232	25.5	33,909	50.3	52,694	33.1	43,180	21.5	28.889
500	45.4	64,450	28.3	41,819	55.7	77,255	36.8	53,280	23.9	35.642
560	50.8	80,738	31.7	52,419			41.2	66,843	26.7	44.608
630	57.2	102,299	35.7	63,395			46.3	84,490	30.0	56.351

Dimensiuni de livrare:

- Colaci: Ø20 ÷ 32 PE80 $\sigma=5$ Mpa -200ml
 Ø20 ÷ 32 PE80 $\sigma=6.3$ Mpa -100ml
 Ø40 ÷110 PE80 $\sigma=5$ Mpa -100ml
 Ø40 ÷ 110 PE80 $\sigma=6.3$ Mpa - 100ml exceptie Ø110 SDR21 PN6.3 -bare
- Bare: Ø125÷630 PE80 $\sigma=5$ Mpa – 12ml
 Colaci: Ø20 ÷100 PE100 $\sigma=8$ Mpa -100ml exceptie Ø63, Ø75, Ø90, Ø110 PN6 SDR26-bare
 Bare: Ø125÷630 PE100 $\sigma=8$ Mpa – 12ml